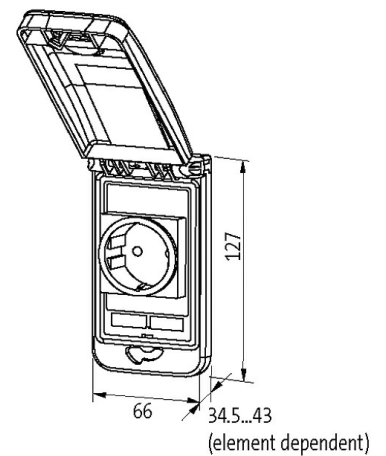


Modlink MSDD-set: Frame 4000-68512-0000003,

insert 4000-68000-3200000

Illustration

Product may differ from Image

Frame

suitable for mounting with wall thickness 1...5 mm

Protection IP65

Housing	Frame: plastic PA black, cap: plastic PC transparent
---------	------------------------------------------------------

Temperature range	-30...+70 °C (storage temperature -30...+80 °C)
-------------------	-------------------------------------------------

Germany (VDE)

Operating voltage	250 V AC
-------------------	----------

Operating current	16 A
-------------------	------

No. of poles	2 + PE
--------------	--------

Connection	Spring clamp terminals: max. 2× 2.5 mm ² (AWG 14)
------------	--------------------------------------------------------------

Commercial data

country of origin	HU
-------------------	----

customs tariff number	85366990
-----------------------	----------

EAN	4048879430593
-----	---------------

eClass	27189217
--------	----------

Packaging unit	1
----------------	---